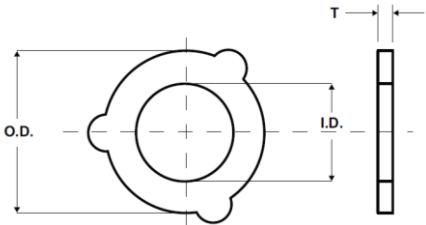


STRUCTURAL WASHERS 38-45HRC AS1252/HOT DIP GALVANISED/PLAIN FINISH



STRUCTURAL WASHERS 35-45HRC AS1252 / HOT DIP GALVANISED / PLAIN FINISH



Part	Size	OD (mm)	ID (mm)	THK (mm)	Pack	Pack Wgt (Kg)
WRST?M12	M12	25.7	14.0	3.1	1000	10.06
WRST?M16	M16	32.4	18.0	3.1	800	12.27
WRST?M20	M20	37.4	22.0	3.1	500	10.47
WRST?M22	M22	42.4	24.0	3.4	350	8.06
WRST?M24	M24	48.4	26.0	3.4	350	15.75
WRSTGM27	M27	54.1	30.0	3.4	420	19.86
WRST?M30	M30	58.1	33.0	3.4	250	13.36
WRST?M36	M36	70.1	39.0	3.4	200	22.00



*For further technical
Information please contact
Southeast Fasteners direct*

Southeast Fastener	ABN 30117890114	
Larapinta Branch:	71 Axis Place, LARAPINTA QLD 4110	TEL: 07 3273 4400 FAX: 07 3272 4999
Eagle Farm Branch:	109A Links Avenue South, EAGLE FARM QLD 4009	TEL: 07 3268 77 88 FAX: 07 3268 5689

SQUIRTER DTI (DIRECT TENSION INDICATOR)

ASTM F959M/MECHANICALLY GALVANISED

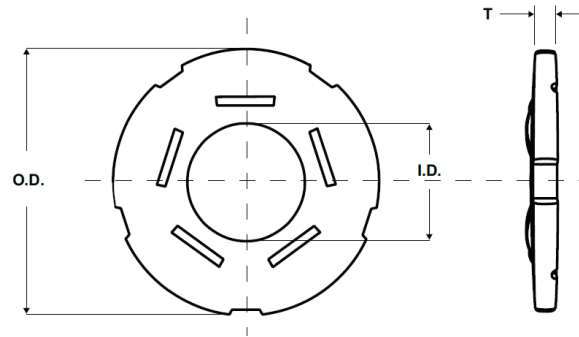


SQUIRTER™ DTI (DIRECT TENSION INDICATOR) WASHERS ASTM F959M / MECHANICALLY GALVANISED

Part	Size	No. of Bumps	OD (mm)	ID (mm)	THK (mm)	Pack	Pack Wgt (Kg)
WDSTGM16	M16	4	36.0	17.0	3.4	500	7.85
WDSTGM20	M20	5	46.0	21.0	3.8	250	8.35
WDSTGM24	M24	5	55.0	25.0	4.4	200	11.28
WDSTGM30	M30	7	68.0	32.0	4.4	125	6.89
WDSTGM36	M36	8	81.0	38.0	5.0	50	4.43



*For further technical
Information please contact
Southeast Fasteners direct*



Southeast Fastener	ABN 30117890114	
Larapinta Branch:	71 Axis Place, LARAPINTA QLD 4110	TEL: 07 3273 4400 FAX: 07 3272 4999
Eagle Farm Branch:	109A Links Avenue South, EAGLE FARM QLD 4009	TEL: 07 3268 77 88 FAX: 07 3268 5689