

# PURLIN ASSEMBLY CLASS 8 NUTS



## PURLIN HEX FLANGE BOLT & NUT KIT CLASS 8.8 / CLASS 8 HOBSON STANDARD (ASSEMBLED)

Part	Size	Length (mm)	Pack	Pack Wgt (Kg)	Pallet	Stock Z/P
KBFHTZCM120030	M12	30	150	10.92	7,200	✓

## METRIC HEX NUT CLASS 8 AS1112.1

Part	Size	Carton	Pack	Pack Wgt (Kg)	Stock		
					HDG	Z/P	PLN
NH08ZCM04	M4	12000	1000	1.25		✓	
NH08ZCM05	M5	12000	1000	1.50		✓	
NH08?CM06	M6	6000	1000	2.00	✓	✓	
NH08?CM08	M8	3000	500	2.50	✓	✓	
NH08?CM10	M10	1200	200	1.85	✓	✓	
NH08?CM12	M12	1200	200	3.09	✓	✓	
NH08ZCM14	M14	100	25	0.58		✓	
NH08?CM16	M16	200	200	7.00	✓	✓	✓
NH08ZCM18	M18	100	25	1.20		✓	
NH08ZCM20	M20	100	100	6.70		✓	
NH08?CM24	M24	100	100	11.28		✓	✓

*For further technical  
Information please contact  
Southeast Fasteners direct*

? = G: Hot Dip Galvanise (HDG)    Z: Zinc Plate (Z/P)    Y: Zinc Yellow Passivate (ZYP)    P: Plain (PLN)

<b>Southeast Fastener</b>	<b>ABN 30117890114</b>	
<b>Larapinta Branch:</b>	71 Axis Place, LARAPINTA QLD 4110	TEL: 07 3273 4400   FAX: 07 3272 4999
<b>Eagle Farm Branch:</b>	109A Links Avenue South, EAGLE FARM QLD 4009	TEL: 07 3268 77 88   FAX: 07 3268 5689

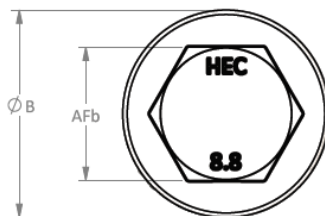
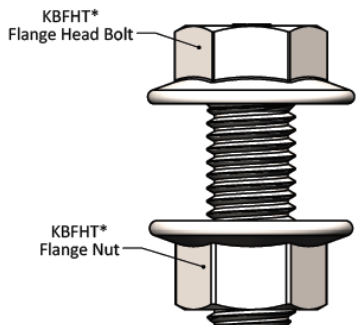
# HOBSON 8.8 FLANGE PURLIN BOLT ASSEMBLIES



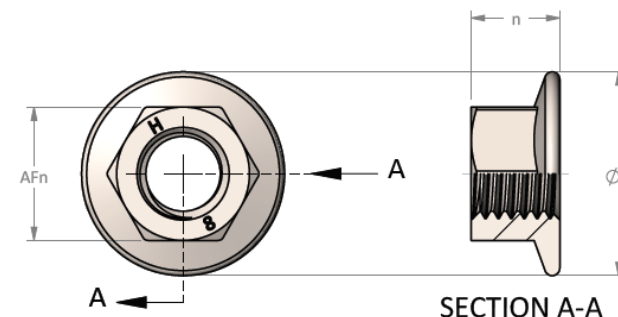
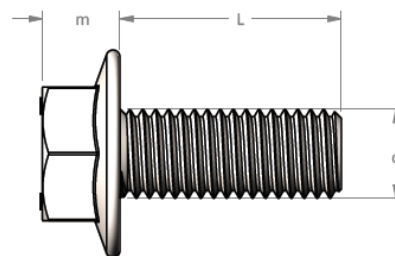
*For further technical  
Information please contact  
Southeast Fasteners direct*

A Hobson 8.8 Flange Purlin Bolt assembly consists of a property class 8.8 flange bolt and a class 8 flange nut. They come in two types of coating, zinc plated (ZP) and hot dip galvanised (HDG).

In the absence of tightening torque information from specifying engineers or purlin suppliers, the indicative tightening torque shown below can be used as a guide to establish the suitable tightening torque.



KBFHT\* Bolt



KBFHT\* Nut

<b>Southeast Fastener</b>	<b>ABN 30117890114</b>	
<b>Larapinta Branch:</b>	71 Axis Place, LARAPINTA QLD 4110	TEL: 07 3273 4400   FAX: 07 3272 4999
<b>Eagle Farm Branch:</b>	109A Links Avenue South, EAGLE FARM QLD 4009	TEL: 07 3268 77 88   FAX: 07 3268 5689

# HOBSON 8.8 FLANGE PURLIN BOLT ASSEMBLIES



Part Number	Finish	Thread Size <b>d</b>	Bolt				Nut			Indicative Tightening Torque <sup>1</sup> <b>T</b> (N-m)	Resulting Bolt Tension <sup>2</sup> <b>P</b> (N)
			Across Flats <b>AF<sub>b</sub></b> (mm)	Head Height <b>m</b> (mm)	Flange Diameter <b>ØB</b> (mm)	Bolt Length <b>L</b> (mm)	Across Flats on Nut <b>AF<sub>n</sub></b> (mm)	Nut Flange Diameter <b>ØU</b> (mm)	Nut height <b>n</b> (mm)		
KBFHTGCM120030	HDG	M12	18	10.5	28	30	18	28	12.5	73.0	24,450
KBFHTGCM160045	HDG	M16	24	13.5	32	45	24	32	17.5	182.0	45,500
KBFHTZCM120030	ZP	M12	18	10.5	28	30	18	28	12.5	64.0	24,450
KBFHTZCM160035	ZP	M16	24	13.5	32	35	24	32	17.5	160.0	45,500
KBFHTZCM160045	ZP	M16	24	13.5	32	45	24	32	17.5	160.0	45,500



*For further technical information please contact Southeast Fasteners direct*

## Important Notes:

<sup>1</sup> Tightening torque  $T$  is calculated by using the basic formula,  $T = P \cdot k \cdot D$ , where  $P$  is the intended bolt tension assumed to be 50% percent of the bolt's proof load,  $k$  is the torque-friction factor and  $D$  is the thread diameter. The  $k$  value used for zinc plated and hot dip galvanised assemblies are 0.22 and 0.25 respectively. Note that the value of  $k$  can vary depending on thread conditions, thread/bearing surfaces lubrication and site conditions. All relevant bearing surfaces are assumed to be in full contact as shown in Fig. 1. The required bolt tension and torque should be validated/defined by the deciding engineer.

<sup>2</sup> Bolt tension is calculated at 50% percent of the bolt's proof load.

Southeast Fastener	ABN 30117890114	
Larapinta Branch:	71 Axis Place, LARAPINTA QLD 4110	TEL: 07 3273 4400   FAX: 07 3272 4999
Eagle Farm Branch:	109A Links Avenue South, EAGLE FARM QLD 4009	TEL: 07 3268 77 88   FAX: 07 3268 5689

# HOBSON 8.8 FLANGE PURLIN BOLT ASSEMBLIES



## Installation Reminder:

Skewed bolt assembly orientation should be avoided. The base of the head and the base of the nut should be in full contact with the fastened component(s) as shown on Fig. 1.

Hole size and dimensions should be in accordance with AS4600 or as specified by the designing engineer.

Base of flange head  
in full contact with  
fastened component

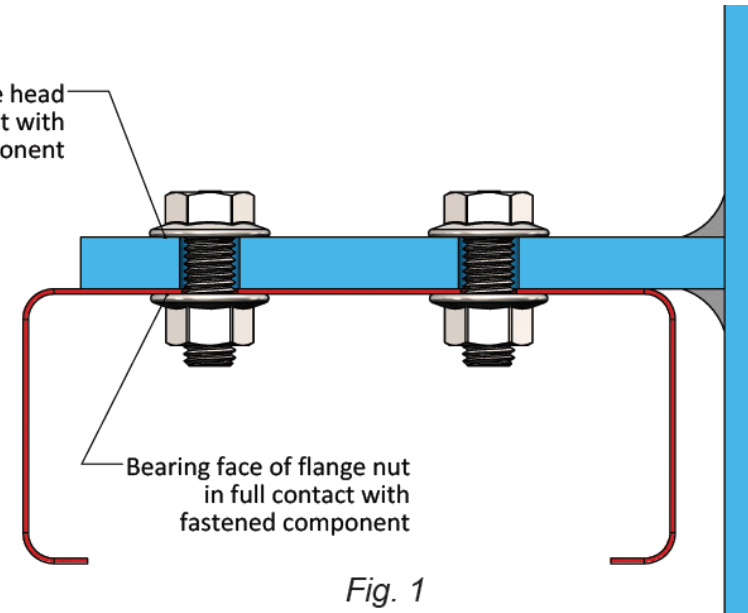


Fig. 1



*For further technical  
information please contact  
Southeast Fasteners direct*

Southeast Fastener	ABN 30117890114	
Larapinta Branch:	71 Axis Place, LARAPINTA QLD 4110	TEL: 07 3273 4400   FAX: 07 3272 4999
Eagle Farm Branch:	109A Links Avenue South, EAGLE FARM QLD 4009	TEL: 07 3268 77 88   FAX: 07 3268 5689