

# WEDGE ANCHOR

Dogpoint tip that prevent thread damage during installation

Optimized thread lengths for accomodating different fixture thicknesses.

Cold formed stud for security in performance

Three corrosion resistance options:

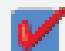

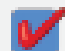



Expansion clip with "claws" that grips onto the hole wall, initiating the expansion process.

Well designed wedge for reliable generation of expansion forces.



CLAWBOLTS® (Through Bolts) are pre-assembled single unit wedge type anchors used in solid concrete applications. Fixing is achieved by controlled torquing of the nut which draws the tapered section up into the clip, thereby expanding it outward and forcing the CLAWBOLT® against the sidewall of the pre-drilled hole.

-  Suitable for light to medium duty loads
-  Suitable for standard and reduced embedment depths
-  Quick and easy to install
-  Immediate loading is possible

Because of the CLAWBOLT®'s unique features, it can be used for many fastening applications, including but not limited to the following:

- Hand rail fastening
- Formwork support fastening
- Mechanical, electrical and pipe bracket fastening



*For further technical information please contact Southeast Fasteners direct*

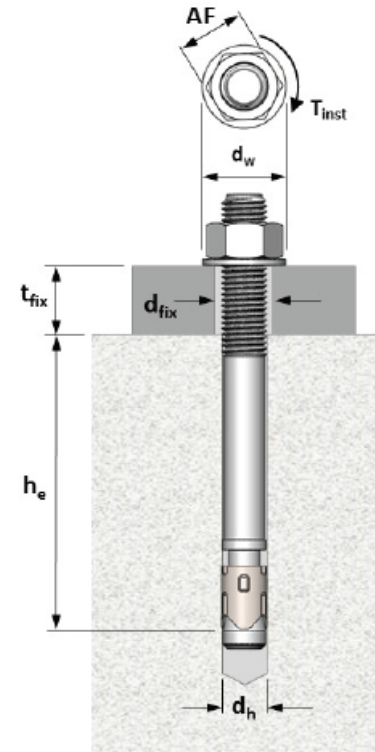


Southeast Fastener	ABN 30117890114	
Larapinta Branch:	71 Axis Place, LARAPINTA QLD 4110	TEL: 07 3273 4400   FAX: 07 3272 4999
Eagle Farm Branch:	109A Links Avenue South, EAGLE FARM QLD 4009	TEL: 07 3268 77 88   FAX: 07 3268 5689

# WEDGE ANCHOR

## Installation Guide

Clawbolt Thread Size	Hole diameter $d_h$ (mm)	Minimum embedment depth $h_{e,min}$ (mm)	Hole diameter on fixture $d_{fix}$ (mm)	Tightening torque guide $T_{inst}$ (N-m)	Wrench size AF (mm)	Washer Diameter $d_w$ (mm)	Minimum concrete thickness $h_{min}$ (mm)	Minimum spacing $S_{min}$ (mm)	Minimum edge distance $c_{min}$ (mm)
M6	6	40	8	8	10	11.8	100	35	40
M8	8	40	10	15	13	15.9	100	40	50
M10	10	60	12	30	17	19.8	100	55	65
M12	12	70	15	50	19	23.9	130	75	100
M16	16	80	20	100	24	29.8	170	100	110
M20	20	90	24	200	30	36.8	200	110	125



For further technical information please contact Southeast Fasteners direct

## Basic Load Performance in 32 MPa non-cracked concrete (Zinc Yellow and Mechanically Galvanised version)

<sup>1</sup> Design Resistance is the governing minimum load resistance obtained by comparing relevant concrete and steel resistances. Capacity reduction factors of  $\phi = 0.60$  for concrete and  $\phi = 0.80$  for steel are already included.

<sup>2</sup> Working Load is the governing minimum allowed load obtained by comparing relevant concrete and steel working loads. Factor of safety FOS = 2.5 for steel and FOS = 3.0 for concrete are already included.

Southeast Fastener	ABN 30117890114	
Larapinta Branch:	71 Axis Place, LARAPINTA QLD 4110	TEL: 07 3273 4400   FAX: 07 3272 4999
Eagle Farm Branch:	109A Links Avenue South, EAGLE FARM QLD 4009	TEL: 07 3268 77 88   FAX: 07 3268 5689

# WEDGE ANCHOR



## Basic Load Performance in 32 MPa non-cracked concrete (Zinc Yellow and Mechanically Galvanised version)

<sup>1</sup> *Design Resistance* is the governing minimum load resistance obtained by comparing relevant concrete and steel resistances. Capacity reduction factors of  $\phi = 0.60$  for concrete and  $\phi = 0.80$  for steel are already included.

<sup>2</sup> *Working Load* is the governing minimum allowed load obtained by comparing relevant concrete and steel working loads. Factor of safety FOS = 2.5 for steel and FOS = 3.0 for concrete are already included.

CLAWBOLT® Size	Depth	Design Tensile Resistance <sup>1</sup>	Working Load in Tension <sup>2</sup>	CLAWBOLT® Size	Depth	Edge Distance	Design Shear Resistance <sup>1</sup>	Working Load in Shear <sup>2</sup>
	$h_e$ (mm)	$\phi N_d$ (kN)	$N_{WLL}$ (kN)		$h_e$ (mm)	$c_1$ (mm)	$\phi V_d$ (kN)	$V_{WLL}$ (kN)
M6	40	4.8	2.6	M6	40	40	2.5	1.4
	60	4.8	2.6			60	4.7	2.3
	70	4.8	2.6			70	4.7	2.3
M8	40	5.4	3.0	M8	60	50	4.2	2.3
	60	5.4	3.0			60	5.6	3.1
	80	5.4	3.0			80	8.6	4.3
M10	60	6.0	3.3	M10	80	65	7.1	3.9
	80	6.0	3.3			80	9.7	5.4
	100	6.0	3.3			100	13.6	6.8
M12	70	14.4	8.0	M12	90	100	14.7	8.2
	90	14.4	8.0			120	19.4	9.9
	120	14.4	8.0			150	19.9	9.9
M16	80	16.2	9.0	M16	110	110	19.3	10.7
	100	16.2	9.0			125	23.4	13.0
	120	16.2	9.0			150	29.7	14.8
M20	90	28.3	15.7	M20	150	125	26.6	14.8
	100	33.2	18.4			150	35.0	19.4
	125	35.4	19.6			175	44.1	23.2



*For further technical  
Information please contact  
Southeast Fasteners direct*

Southeast Fastener	ABN 30117890114	
Larapinta Branch:	71 Axis Place, LARAPINTA QLD 4110	TEL: 07 3273 4400   FAX: 07 3272 4999
Eagle Farm Branch:	109A Links Avenue South, EAGLE FARM QLD 4009	TEL: 07 3268 77 88   FAX: 07 3268 5689