

PURLIN ASSEMBLY CLASS 8 NUTS

Hot Dip Galvanise
Zinc Yellow Passivate
Plain



FASCIA HEX BOLT & NUT KIT CLASS 8.8 / CLASS 8 HOBSON STANDARD (ASSEMBLED)

Part	Size	Length (mm)	Pack	Pack Wgt (Kg)	Pallet	Stock HDG
KBAHTGCM100025	M10	25	200	7.37	16,000	✓
KBAHTGCM120030	M12	30	150	9.00	12,000	✓

*For further technical
Information please contact
Southeast Fasteners direct*



METRIC HEX LOCK NUT CLASS 8 AS1112.4

Part	Size	Pack	Pack Wgt (Kg)	Stock HDG
NL08GCM12	M12	100	0.93	✓
NL08GCM16	M16	100	2.14	✓

? = G: Hot Dip Galvanise (HDG) Z: Zinc Plate (Z/P) Y: Zinc Yellow Passivate (ZYP) P: Plain (PLN)

Southeast Fastener	ABN 30117890114	
Larapinta Branch:	71 Axis Place, LARAPINTA QLD 4110	TEL: 07 3273 4400 FAX: 07 3272 4999
Eagle Farm Branch:	109A Links Avenue South, EAGLE FARM QLD 4009	TEL: 07 3268 77 88 FAX: 07 3268 5689

HOBSON 8.8 FASCIA BOLT ASSEMBLIES

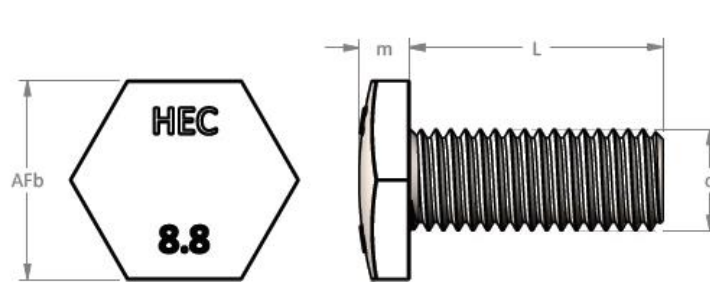
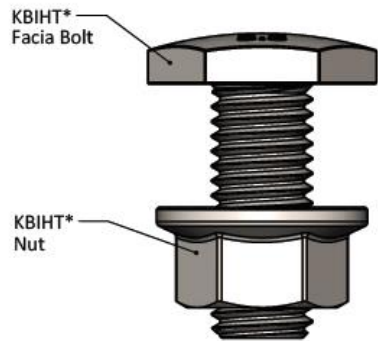


A Hobson 8.8 Fascia Bolt assembly consists of a property class 8.8 bolt and a class 8 nut. They come in two types of coating, zinc plated (ZP) and hot dip galvanised (HDG).

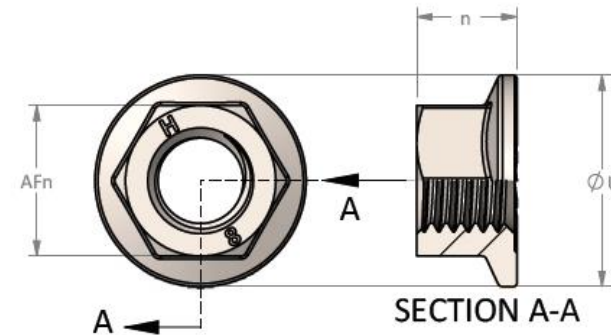
In the absence of tightening torque information from specifying engineers or fascia supplier, the indicative tightening torque shown below can be used as a guide to establish the suitable tightening torque.



For further technical information please contact Southeast Fasteners direct



KBIHT* Bolt



KBIHT* Nut

Southeast Fastener	ABN 30117890114	
Larapinta Branch:	71 Axis Place, LARAPINTA QLD 4110	TEL: 07 3273 4400 FAX: 07 3272 4999
Eagle Farm Branch:	109A Links Avenue South, EAGLE FARM QLD 4009	TEL: 07 3268 77 88 FAX: 07 3268 5689

HOBSON 8.8 FASCIA BOLT ASSEMBLIES



For further technical information please contact Southeast Fasteners direct

Part Number	Finish	Thread Size d	Bolt			Nut			Indicative Tightening Torque ¹ T (N-m)	Bolt Tension ² P (N)
			Across Flats AF_b (mm)	Head Height m (mm)	Bolt Length L (mm)	Across Flats on Nut AF_n (mm)	Nut height n (mm)	Flange Diameter ØU (mm)		
KBIHTGCM100025	HDG	M10	22	4.9	25	16	10	22	42.0	16,850
KBIHTGCM120030	HDG	M12	24	5.5	30	18	12	26	73.0	24,450

Important Notes:

¹ Tightening torque T is calculated by using the basic formula, $T = P \cdot k \cdot D$, where P is the intended bolt tension assumed to be 50% percent of the bolt's proof load, k is the torque-friction factor and D is the thread diameter. The k value used for zinc plated and hot dip galvanised assemblies are 0.22 and 0.25 respectively. Note that the value of k can vary depending on thread conditions, thread/bearing surfaces lubrication and site conditions. All relevant bearing surfaces are assumed to be in full contact as shown in Fig. 1. The required bolt tension and torque should be validated/defined by the deciding engineer.

² Bolt tension is calculated at 50% percent of the bolt's proof load.

Southeast Fastener	ABN 30117890114	
Larapinta Branch:	71 Axis Place, LARAPINTA QLD 4110	TEL: 07 3273 4400 FAX: 07 3272 4999
Eagle Farm Branch:	109A Links Avenue South, EAGLE FARM QLD 4009	TEL: 07 3268 77 88 FAX: 07 3268 5689

HOBSON 8.8 FASCIA BOLT ASSEMBLIES

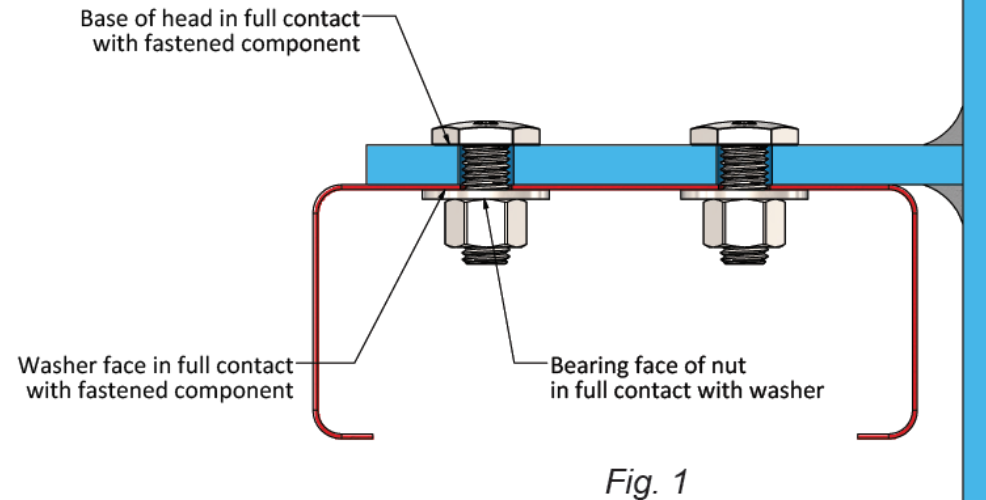


For further technical information please contact Southeast Fasteners direct

Installation Reminder:

Skewed bolt assembly orientation should be avoided. The base of the head and the base of the nut should be in full contact with the fastened component(s) as shown on Fig. 1.

Hole size and dimensions should be in accordance with AS4600 or as specified by the designing engineer.



Southeast Fastener	ABN 30117890114	
Larapinta Branch:	71 Axis Place, LARAPINTA QLD 4110	TEL: 07 3273 4400 FAX: 07 3272 4999
Eagle Farm Branch:	109A Links Avenue South, EAGLE FARM QLD 4009	TEL: 07 3268 77 88 FAX: 07 3268 5689